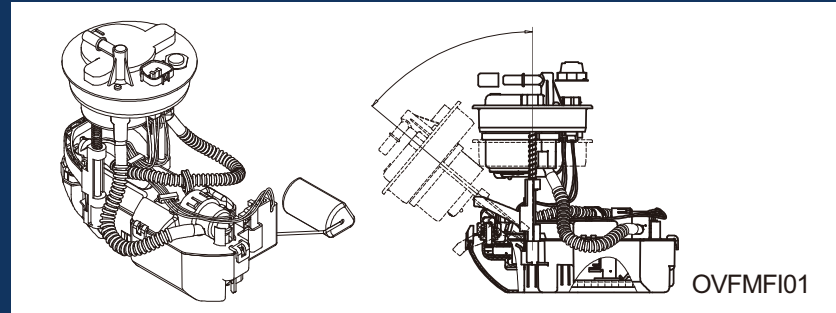


FUEL MODULE COMPARISON F&S ALWAYS VS OE



FIT TEST

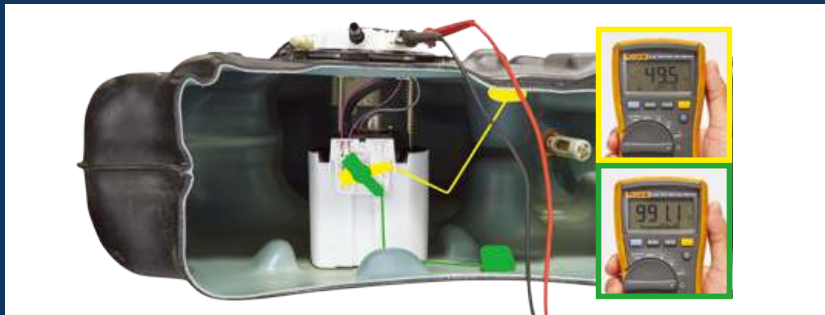
FORM



	OE	F&S Always
OVFMFI01	✓	✓ Fits like OE
OVFMOE11	✓	✓ Fits like OE

	OE	F&S Always
OVFMFI01	L-Shape Design	✓ Same as OE
OVFMOE11	Chrysler Design	✓ Same as OE

FUEL MODULE COMPARISON F&S ALWAYS VS OE



FUNCTION

- Performance
- Rheostat reading
- Electrostatic discharge (ESD)

	OE	F&S Always
OVMFI01	✓	✓ Meets OE specifications
OVMOE11	✓	✓ Meets OE specifications



PACKAGING

	OE	F&S Always
OVMFI01	<ul style="list-style-type: none"> - Bubble wrap protection - Float arm is attached which can be damaged - No instruction sheet 	<p>Better than OE :</p> <ul style="list-style-type: none"> ✓ Inflated internal bag ✓ Float arm detached to avoid damage
OVMOE11	<ul style="list-style-type: none"> - No internal protection - Float arm is attached which can be damaged - No installation sheet 	<ul style="list-style-type: none"> ✓ Includes installation sheet & o-ring